

Assembly Manual

Spray nozzle including holder (7009.25)

Introduction

Foreword

This assembly manual may be used only in conjunction with the operating manual of the machine.

Safety instructions

Please observe the general safety regulations of the corresponding machine in the relevant operating manual.

Place the machine on a level surface and secure it with the parking brake. Switch the machine off and pull out the key.

We would expressly advise you that no legal claims may be asserted based on the contents of this manual. In the case of necessary repair work, please make sure that only original spare parts are used. Only original spare parts guarantee constant and reliable operational readiness of your machine. We reserve the right to make changes in the interests of further technical development.

Valid as from: June 2017

Hako GmbH
23843 Bad Oldesloe, Germany
Hamburger Str. 209-239
Phone +49 4531 806-0

1 Spray nozzle including holder

1.1 Parts list

- 1 1x holder, pre-assembled
- 2 1x detent edged washer, SKM-8-1.4401
- 3 1x flanged button head bolt (with hexagon socket) M8x16-A2
- 4 1x detent edged washer SKM-8 8.8-DAC
- 5 1x flanged button head bolt (Torx) M8x16 St-fIZnnc-480
- 6 2x cable ties
- 7 6x hose clamps A12
- 8 1x spray nozzle
- 9 1x hose, pre-assembled (bypass)

1.2 Assembly

Fit holder as shown in Figure 1.
 Upper bolt, tightening torque: 10 Nm.
 Lower bolt, tightening torque: 23 Nm.

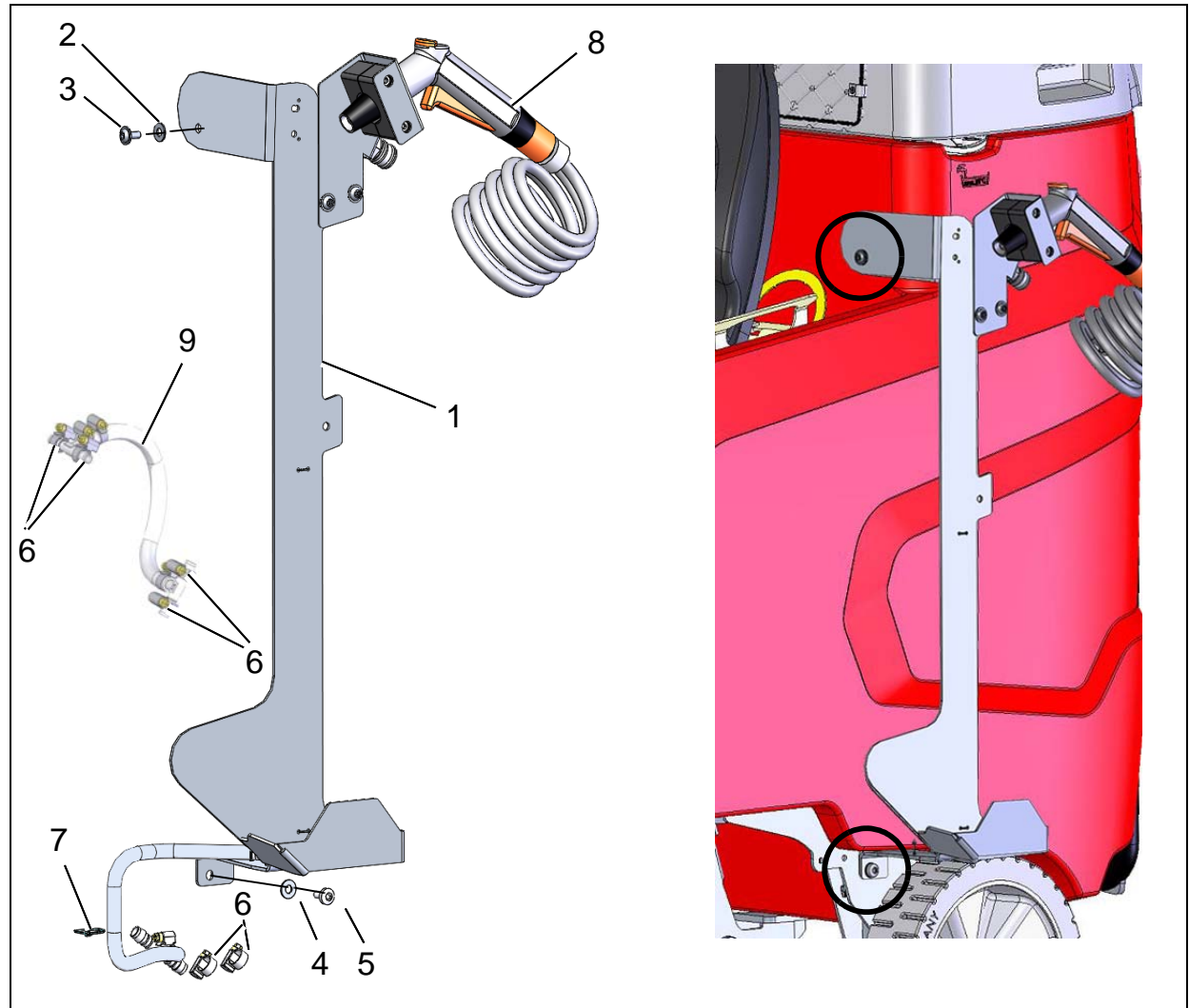


Fig. 1

Spray nozzle including holder

1.3 Connections at the water connection of the machine

Disconnecting the brush unit from the brush head ferrule

1. Swivel away the wiper on the right-hand side of the machine and lock in position (Fig. 2/1).
2. Lower the brush unit and activate the brush pressure increase button (Fig. 2/2).
3. Close the ball cock (Fig. 2/3).
4. With a roller brush unit, remove the dirt hopper (Fig. 2/4).
5. To release the limiting cable, remove the splint with bolt (Fig. 2/5).
6. Remove nuts and screws at both sides and disconnect brush unit from brush head ferrule (Fig. 2/6). The pump on the left-hand side of the machine is now easily accessible.

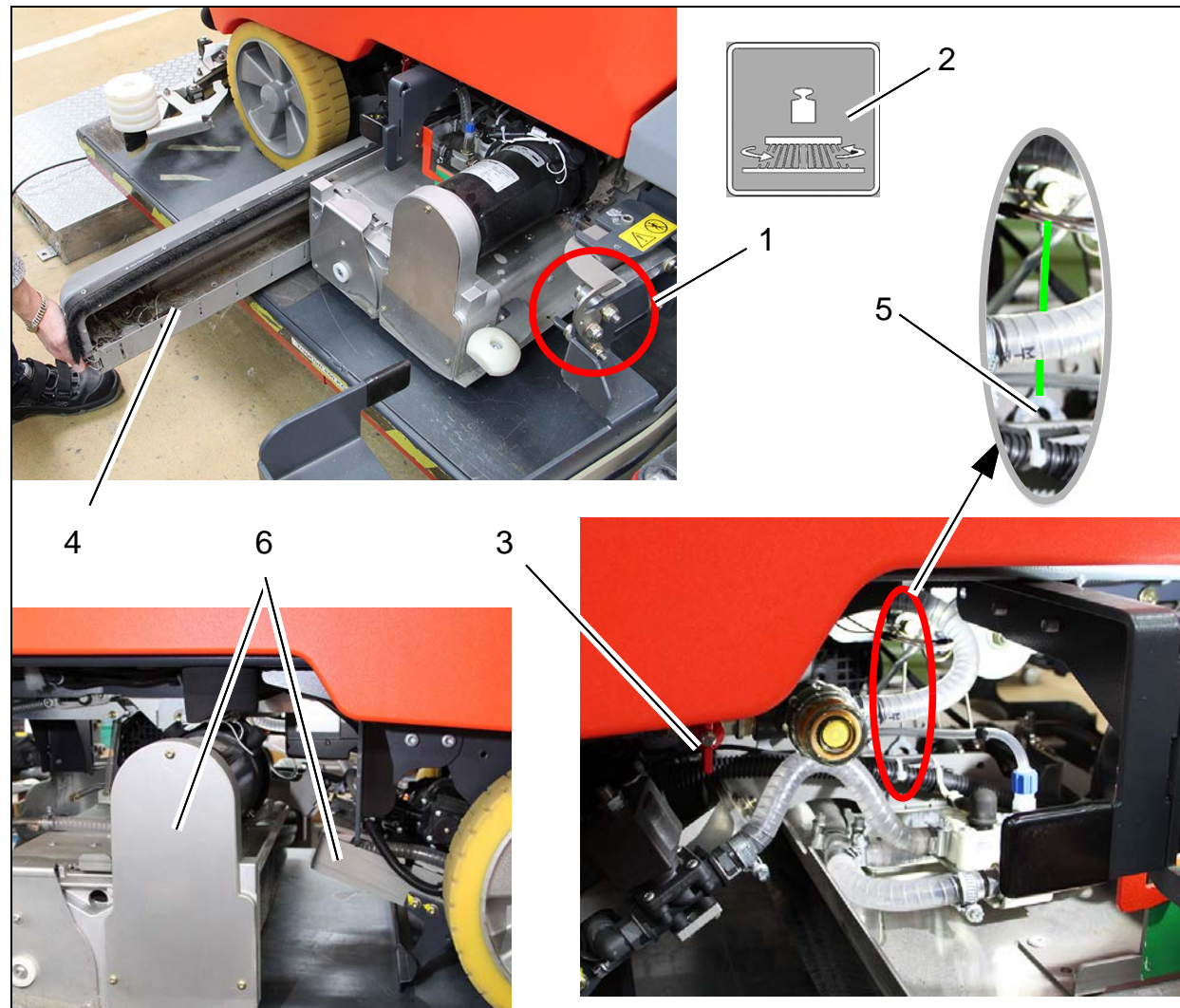


Fig. 2

Spray nozzle including holder

Bypass connection at the pump

1. Undo butterfly nut at the pump (Fig. 3/1) and remove elbow union with hose.
2. Cut out a 30 mm piece of the hose after 65 mm (Fig. 3/2).
3. Repeat work operations 1 and 2 on the hose on the opposite side (Fig. 3/3).
4. Insert T-pieces of the pre-installed hose into the prepared hoses as shown in the illustration (Fig. 3/4).



Ensure that the preinstalled hose is in the right position during assembly!
Fit the hose end with the backflow preventer (two hose clamps) to the left-hand side of the pump (Fig. 3/5).

5. Re-attach the elbow unions with hoses to the pump using the butterfly nuts (Fig. 3/6).

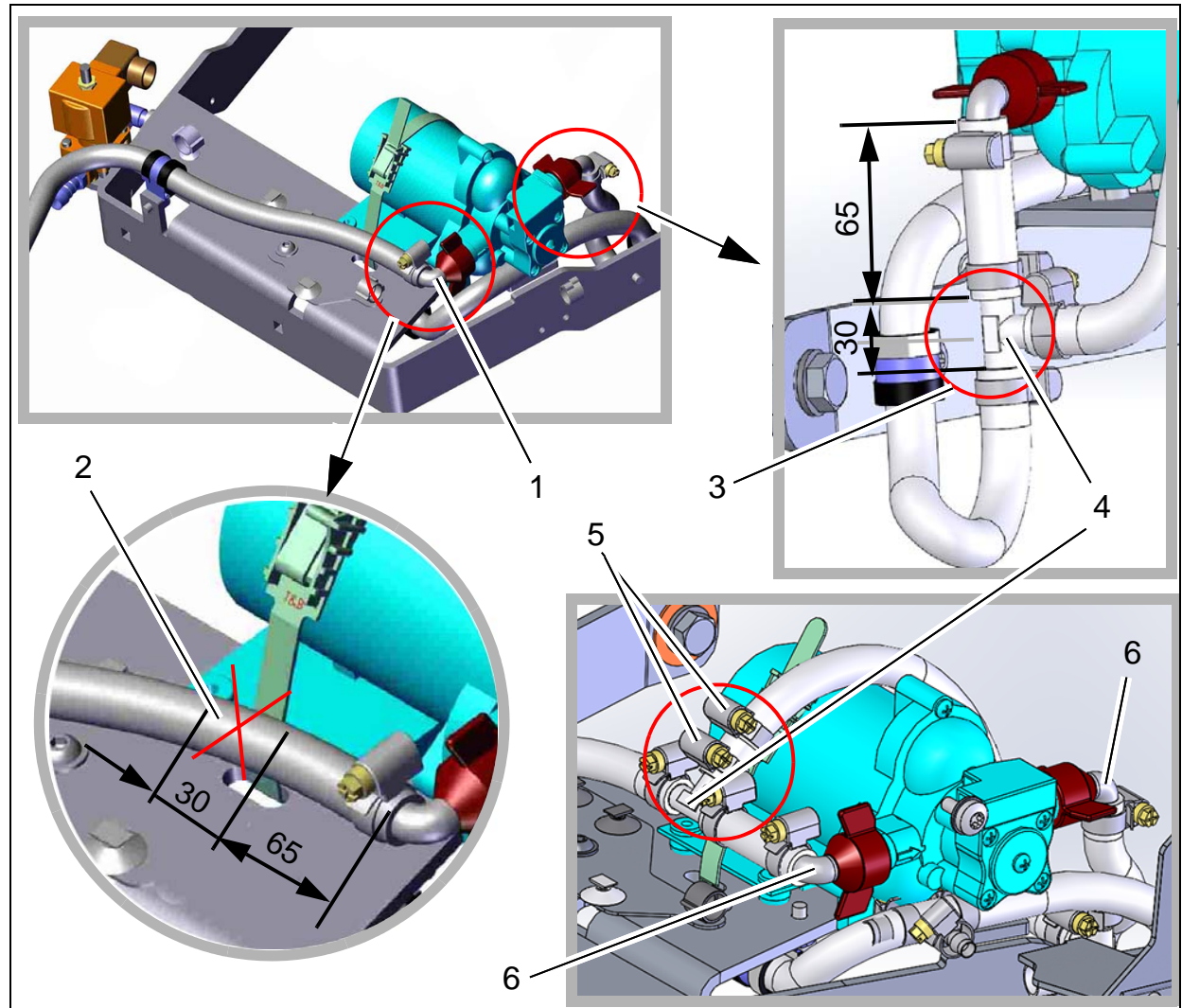


Fig. 3

Spray nozzle including holder

Connections to the water circuit

1. Cut water hose at machine side (shown in green in Fig. 4) and insert T-piece of holder hose (shown in blue in Fig. 4) accordingly.
2. Secure hoses to T-piece at both sides using hose clamps (Fig. 4/1).
3. Fix hose to holder of wiper using cable tie (Fig. 4/2).
4. Connect hose connection of spray nozzle to water connection of machine (Fig. 4/3).

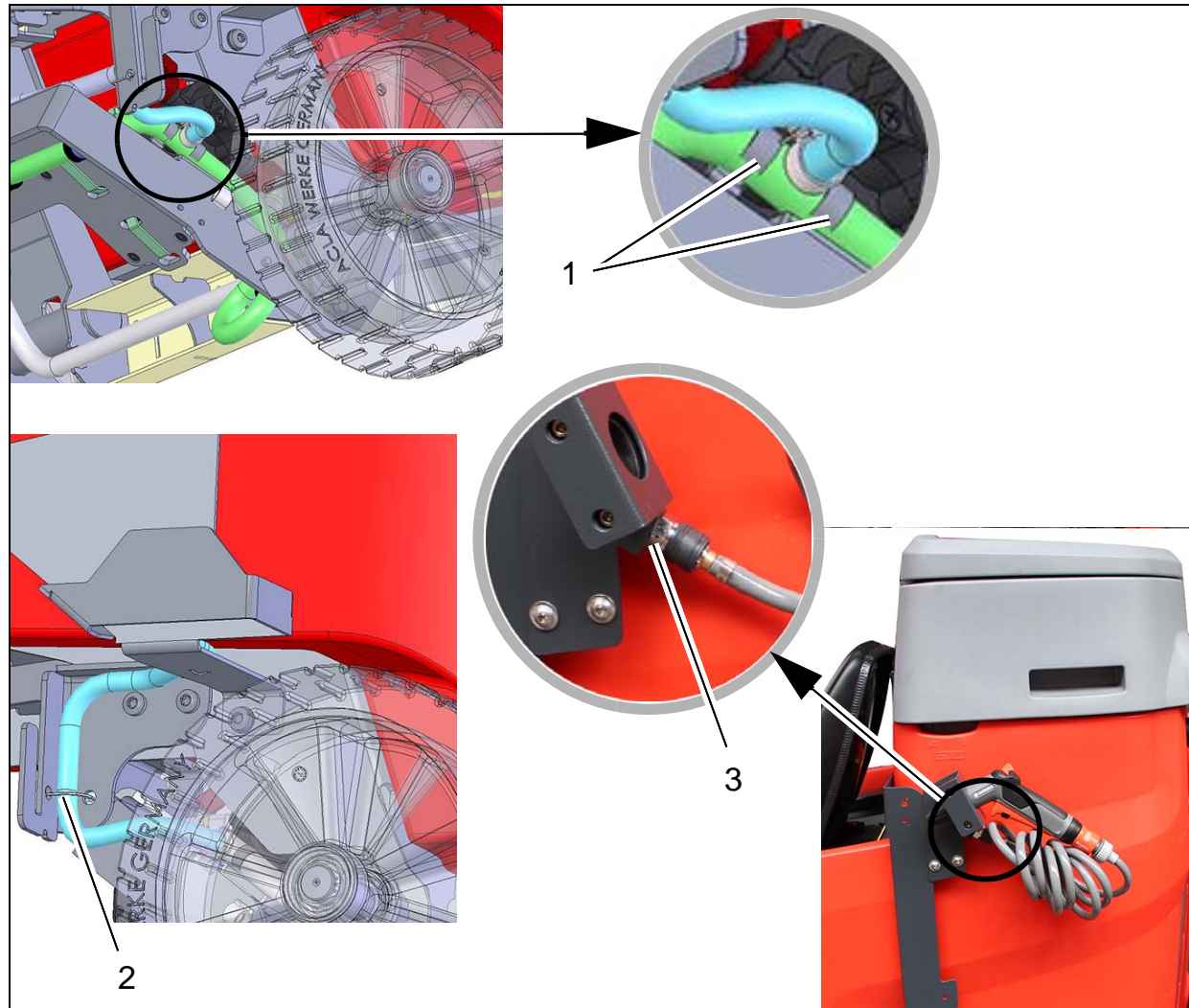


Fig. 4

1.4 Operation

1. Turn on the machine.
2. Use the tool operation button (Fig. 5/1) on the control panel to switch the water supply on and off.
Switch on: press the button once.
Switch off: press the button twice.

3. Controls at the spray nozzle:

A	Operating handle for turning the water supply with locking mechanism on and off.
B	Adjusting lever for water dosing
C	Water jet type setting

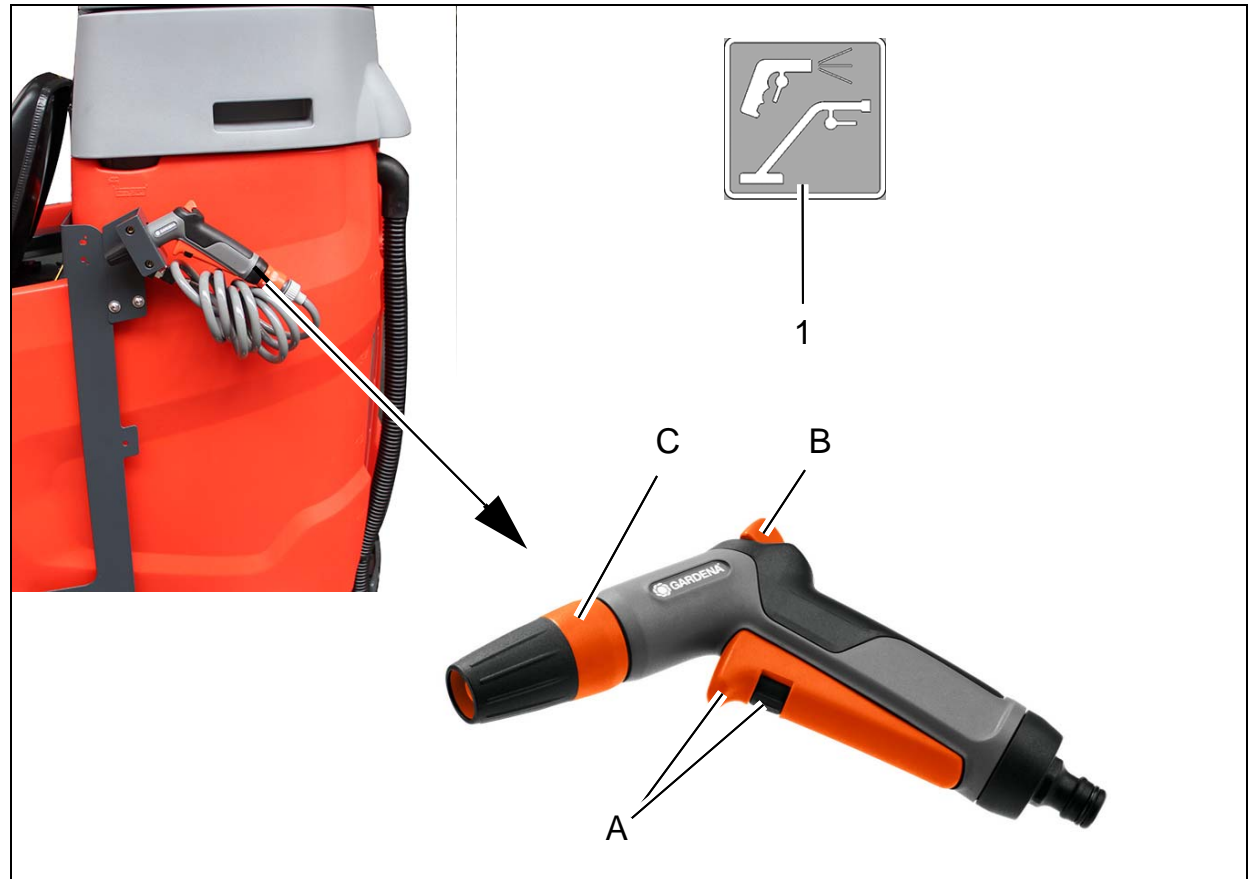


Fig. 5

Hako

Clean ahead

Advanced Technology for a Cleaner, Better Environment

88-10-3129- 3655-38



Hako GmbH ▪ Head Office ▪ Hamburger Str. 209-239 ▪ 23843 Bad Oldesloe ▪ Germany
Phone +49 4531 806-0 ▪ Fax +49 4531 806-338